

SIMPLE PLUS

LIMITATORE DI APERTURA PER FINESTRE CON APERTURA A VASISTAS (BREVETTATO)

LIMITATORE DI APERTURA PER FINESTRE A VASISTAS | LIMITER FOR TRANSOM OPENING WINDOWS | LIMITEUR D'OUVERTURE POUR FENETRES AVEC OUVERTURE A VASISTAS | COMPÁS LIMITADOR DE APERTURA PARA VENTANAS BASCULANTES



Braccio in acciaio inox; complementi di fissaggio in zama.

Art. 111X.1 altezza anta da 600 mm a 1600 mm.
Art. 111X.2 altezza anta da 260 mm a 800 mm.
Portata massima 70 kg, variabile in funzione delle dimensioni e dell'angolo di apertura del serramento.



Stainless steel arm; zamak mounting accessories.

Art. 111X.1 shutter height from 600 mm to 1600 mm. Art. 111X.2 shutter height from 260 mm to 800 mm.
Maximum load 70 kg, varies depending on the frame's size and opening angle.



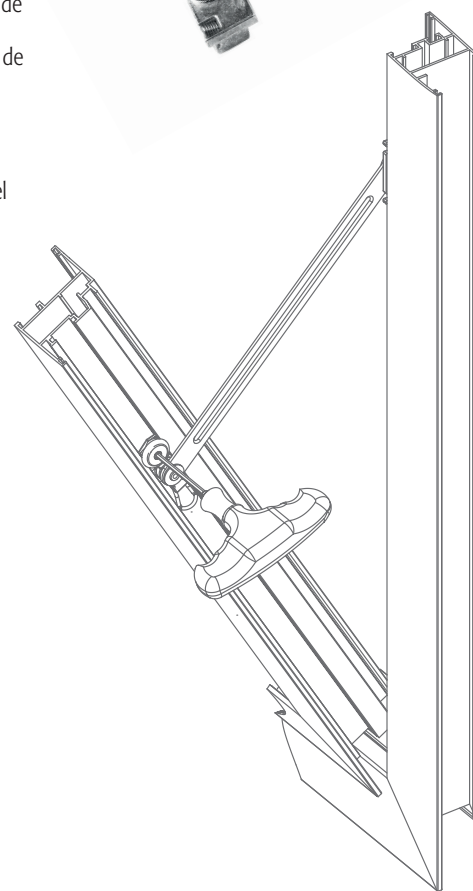
Bras en acier inox; compléments de fixation en zamak.

Art. 111X.1 hauteur vantail de 600 mm à 1600 mm. Art. 111X.2 hauteur vantail de 260 mm à 800 mm.
Portée 70 kg, variable en fonction des dimensions et de l'angle d'ouverture du bâti.



Compás de acero inox; complementos de fijación de zamac.

Art. 111X.1 altura hoja de 600 mm a 1600 mm. Art. 111X.2 altura hoja de 260 mm a 800 mm.
Soporta hasta 70 kg, de acuerdo con las dimensiones y el ángulo de apertura del cerramiento.



CONFEZIONAMENTO E FINITURE | PACKAGING AND FINISHES CONDITIONNEMENT ET FINITIONS | EMBALAJE Y ACABADOS

ART.	1114.1 1114.2 1115.1 1115.2 1116.1 1116.2
Imballo Package Conditionnement Embalaje	25 Cp
Finiture disponibili Available finishes Finitions disponibles Acabados disponibles	1 2 3 4 5 6

ESTRUSORE EXTRUDER	SERIE SERIES	ART.
	Camera Europea Euro Groove	1115.1 1115.2
AL SISTEM	Global 48	1115.1 1115.2
ALCAN	Abithal Point	1115.1 1115.2
ALLU SISTEMI	RX 450	1114.1 1114.2
	RX 600	1114.1 1114.2
	RX 700	1114.1 1114.2
ALUK GROUP	Alu-k 45	1116.1 1116.2
	Alu-k 53	1116.1 1116.2
	Alu-k 55 TT	1116.1 1116.2
	Alu-k 63 TT	1116.1 1116.2
ALL.CO	All.co 5 sorm.	1115.1 1115.2
	All.co P4 sorm.	1115.1 1115.2
CLL	Tecno 50	1114.1 1114.2
	Tecno 50 TT	1114.1 1114.2
	Tecno 60 TT	1114.1 1114.2
	Tecno 68 TT	1114.1 1114.2
EKU Sistemi (Gruppo Profilati)	Sistema 1	1115.1 1115.2
ETNALL	ET 43	1115.1 1115.2
	TT 50	1114.1 1114.2
IBLEA COLOR GROUP	Eku Vuerre 40	1115.1 1115.2
INDINVEST	Wing 40	1115.1 1115.2
METRA	NC 45 int.	1115.1 1115.2
	NC 45 STH	1115.1 1115.2
	NC 50 Int.	1115.1 1115.2
	NC 50 STH	1115.1 1115.2
	Nuovo NC 40 sorm.	1115.1 1115.2

ESTRUSORE EXTRUDER	SERIE SERIES	ART.
PASSERINI	Ekip 40 sorm.	1115.1 1115.2
	Newtec 50	1114.1 1114.2
PONZIO	Newtec 52 TT	1114.1 1114.2
	Newtec 60 TT	1114.1 1114.2
	Newtec 68 TT	1114.1 1114.2
	PR 66 tt	1114.1 1114.2
PRESAL EXTRUSION	PR 75 tt	1114.1 1114.2
	PR 80 tt	1114.1 1114.2
	Erre 40	1114.1 1114.2
SAPA	Erre 50	1116.1 1116.2
	Erre 50 TT b.c.	1114.1 1114.2
	Erre 60 TT	1116.1 1116.2
	Erre 62 TT	1114.1 1114.2
	Erre 72 TT	1114.1 1114.2
TOMA	Atlantis 40	1115.1 1115.2

CONTINUA | CONTINUES | CONTINUE | CONTINÚA >

